


PRODUCT SHEET

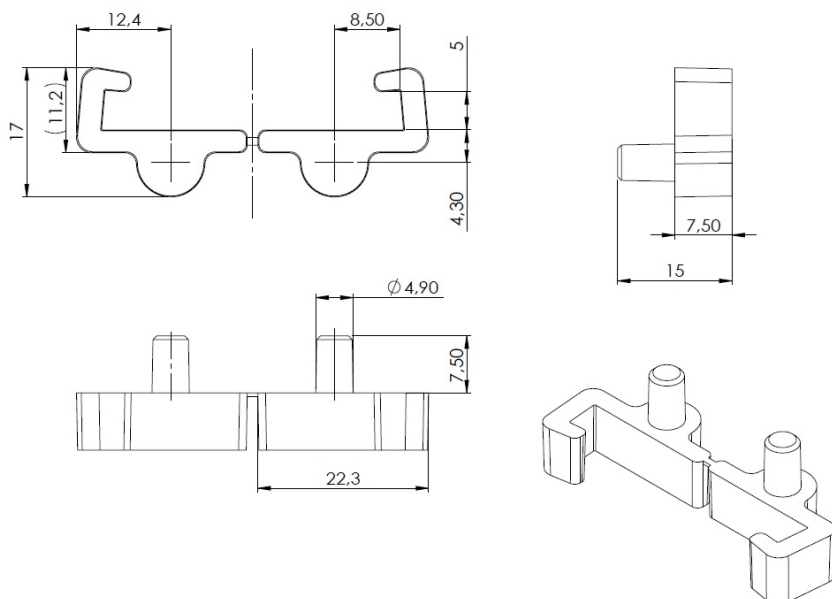
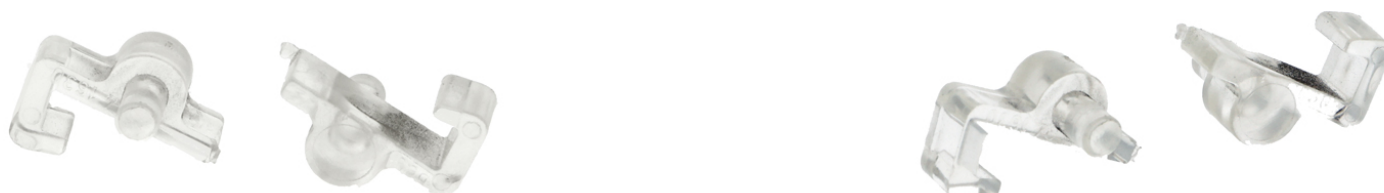
Description:

Glass Support 1630, W/Slide Lock, Transparent Plastic, \varnothing 5mm, Moulded Left+Right Hand as a Set.
Distance: 9.5mm from Edge, to Bore Hole

Item number:

22.02.082-0

Units	Box	Carton	HS Code	Barcode
Set	1	3300	3926300090	 5704866078542



SISO A/S

Mileparken 11
DK-2740 Skovlunde
Denmark
VAT: DK 24786013

Phone +45 45 830 900

www.siso.dk
siso@siso.dk

Danske Bank
Nytorv Branch
Copenhagen
SWIFT: DABADKKK

Account no.
4180 3112 112936
IBAN Account
DK7230003112112936